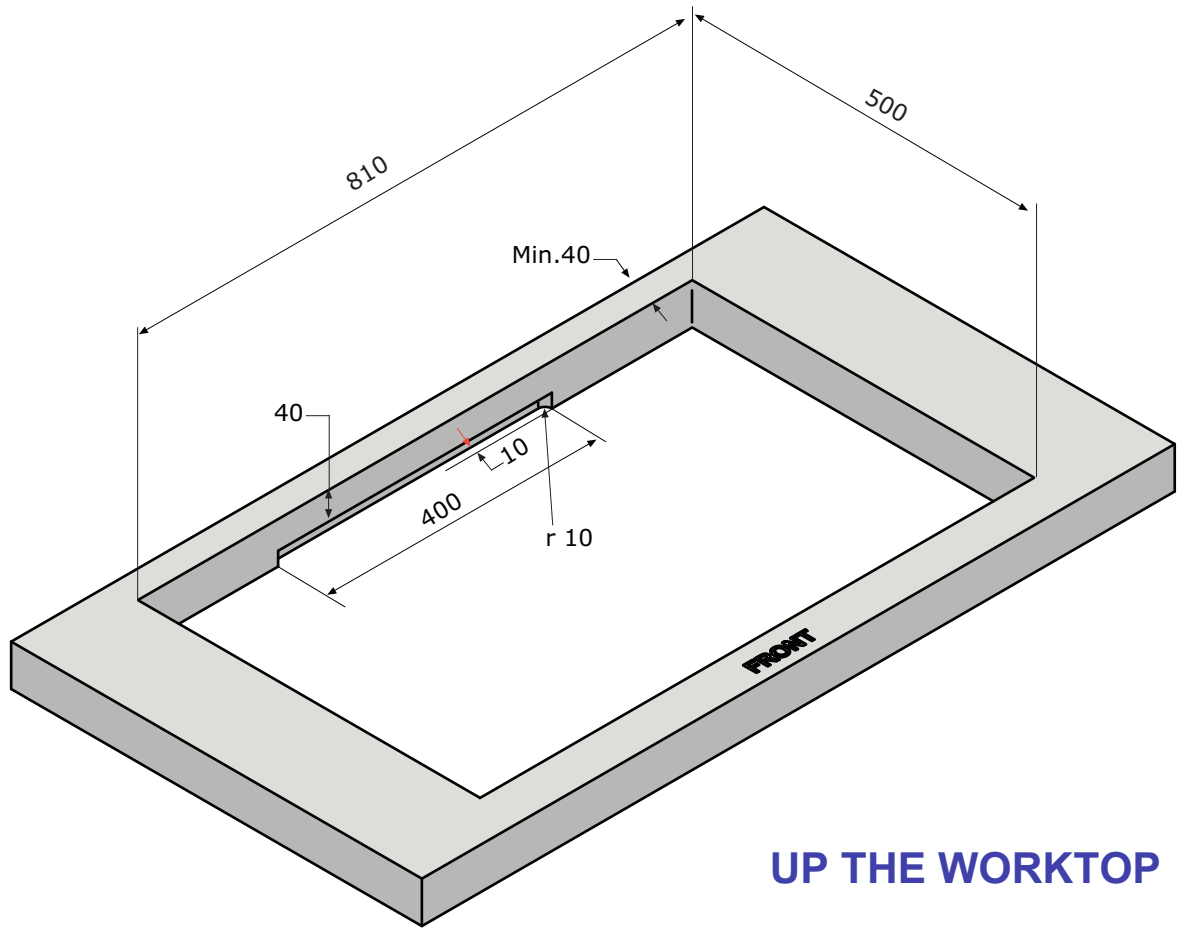
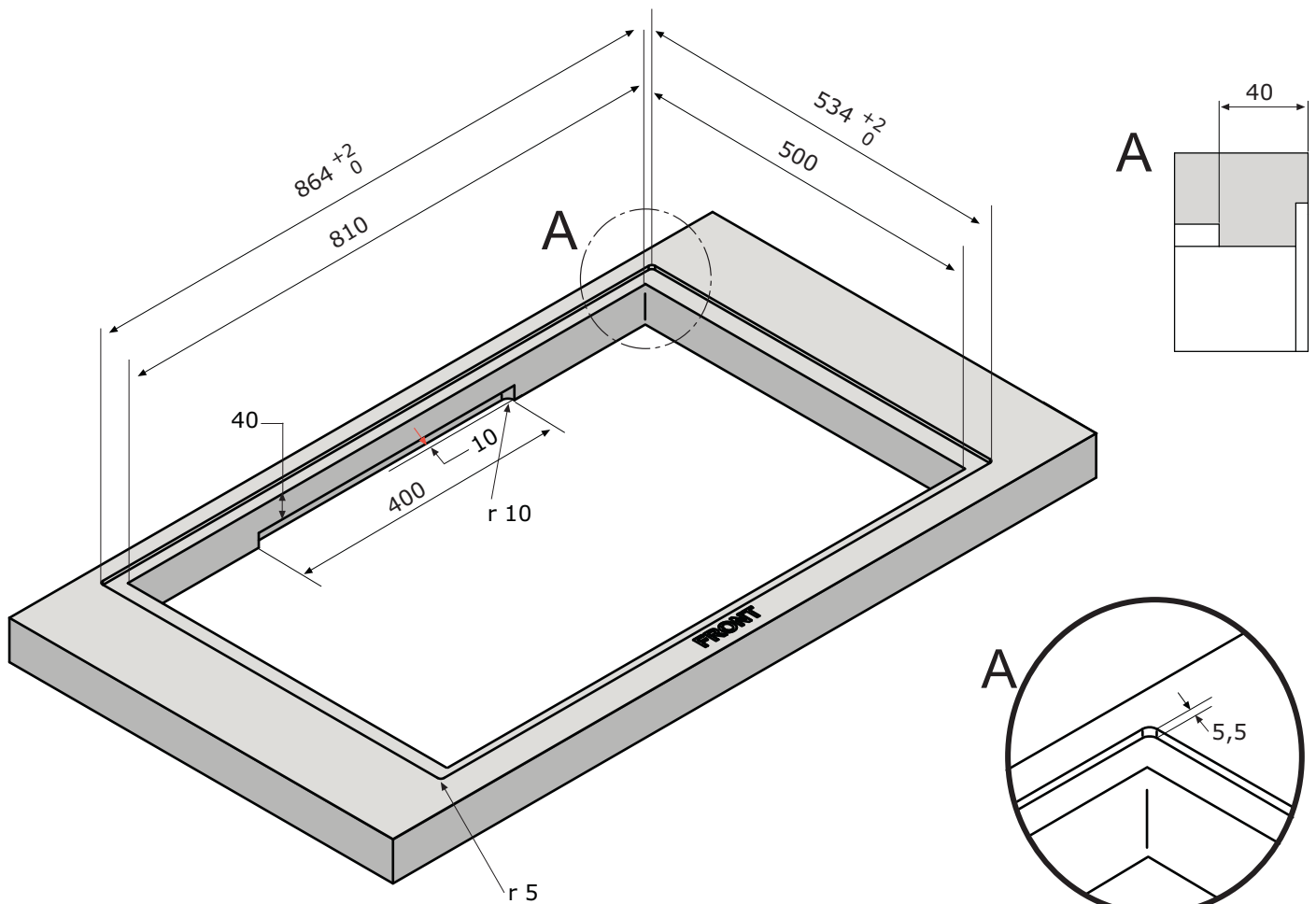


CCASP9061 - ASPIRA CENTRALE B2 e B20



UP THE WORKTOP



FLUSH INSTALLATION